



***Society of Cable
Telecommunications
Engineers***

**ENGINEERING COMMITTEE
Interface Practices Subcommittee**

AMERICAN NATIONAL STANDARD

ANSI/SCTE 34 2016

Test Method for Cored Depth Verification

Table of Contents

Title	Page Number
NOTICE	3
1. Scope	4
2. Compliance Notation	4
3. Equipment	4
3.1. Dial caliper	4
3.2. Coring Tool	4
4. Test Samples	4
5. Test Measurement	5

List of Figures

Title	Page Number
FIGURE 1 – CORE DEPTH	5
FIGURE 2 – EXAMPLE CORE DEPTH	6
FIGURE 3 - EXAMPLE CORE DEPTH	5

List of Tables

Title	Page Number
TABLE 1 – RESULTS TABLE	7

NOTICE

The Society of Cable Telecommunications Engineers (SCTE) Standards and Operational Practices (hereafter called “documents”) are intended to serve the public interest by providing specifications, test methods and procedures that promote uniformity of product, interchangeability, best practices and ultimately the long term reliability of broadband communications facilities. These documents shall not in any way preclude any member or non-member of SCTE from manufacturing or selling products not conforming to such documents, nor shall the existence of such standards preclude their voluntary use by those other than SCTE members.

SCTE assumes no obligations or liability whatsoever to any party who may adopt the documents. Such adopting party assumes all risks associated with adoption of these documents, and accepts full responsibility for any damage and/or claims arising from the adoption of such documents.

Attention is called to the possibility that implementation of this document may require the use of subject matter covered by patent rights. By publication of this document, no position is taken with respect to the existence or validity of any patent rights in connection therewith. SCTE shall not be responsible for identifying patents for which a license may be required or for conducting inquiries into the legal validity or scope of those patents that are brought to its attention.

Patent holders who believe that they hold patents which are essential to the implementation of this document have been requested to provide information about those patents and any related licensing terms and conditions. Any such declarations made before or after publication of this document are available on the SCTE web site at <http://www.scte.org>.

All Rights Reserved

© Society of Cable Telecommunications Engineers, Inc. 2016
140 Philips Road
Exton, PA 19341

1. Scope

The purpose of this test method is to determine the cored depth of Trunk, Feeder and Distribution Coaxial cable. The core depth is the internal measured distance between the dielectric foam and the square-cut end of the outer sheath. This test method will define the suggested method for core depth measurement.

2. Compliance Notation

<i>shall</i>	This word or the adjective “ <i>required</i> ” means that the item is an absolute requirement of this document.
<i>shall not</i>	This phrase means that the item is an absolute prohibition of this document.
<i>forbidden</i>	This word means the value specified shall never be used.
<i>should</i>	This word or the adjective “ <i>recommended</i> ” means that there may exist valid reasons in particular circumstances to ignore this item, but the full implications should be understood and the case carefully weighted before choosing a different course.
<i>should not</i>	This phrase means that there may exist valid reasons in particular circumstances when the listed behavior is acceptable or even useful, but the full implications should be understood and the case carefully weighed before implementing any behavior described with this label.
<i>may</i>	This word or the adjective “ <i>optional</i> ” means that this item is truly optional. One vendor may choose to include the item because a particular marketplace requires it or because it enhances the product, for example; another vendor may omit the same item.
<i>deprecated</i>	Use is permissible for legacy purposes only. Deprecated features may be removed from future versions of this document. Implementations should avoid use of deprecated features.

3. Equipment

3.1. Dial caliper

A Dial Caliper calibrated to read in at least 0.001 inch or 0.03 mm increments, a Mitutoyo 505-626 or equivalent.

3.2. Coring Tool

A Coring Tool for the coaxial cable to be tested.

4. Test Samples

Two-foot sample of the cable to be tested. Both ends *should* be square-cut and free of burrs or other impediments. If jacketed, and a jacket stripping/coring tool combination is not used, the jacket *should* be removed a sufficient distance as recommended by the manufacture to not impede the coring tool’s progress.

5. Test Measurement

1. Use the coring tool recommended by the tool manufacturer that corresponds to the cable to be tested. Verify the tool so that it matches the cable sample by the cable size and corresponding part numbers along with the tool part number and manufacturer's recommendations.
2. Core the cable by following the coring tool manufacturer's specific directions found on their instruction sheets.
3. Ensure the dial caliper is calibrated, and reads zero in the closed position. Extend the caliper out until it is just longer than the expected core depth as seen in Figure 1. Insert the dial caliper measuring blade inside the cored cable until the blade gently contacts the dielectric and lightly push down until the calipers butt contacts the cable outer sheath. Record this value as core depth. Record three measurements 120 degrees apart and average. The average core depth must meet the connector manufacturer's specification for core depth.

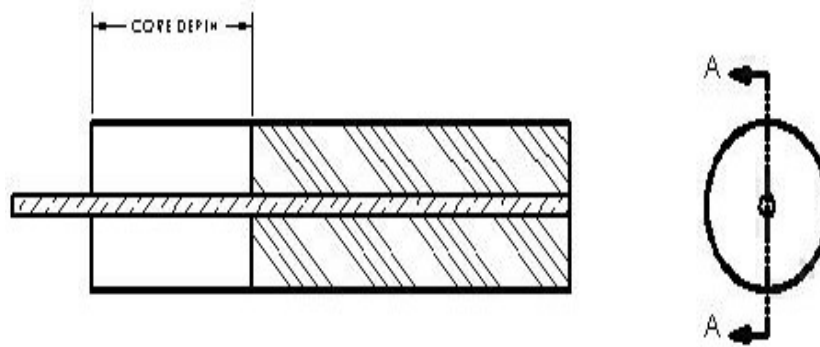


Figure 1 – Core Depth



Figure 2 – Example Core Depth

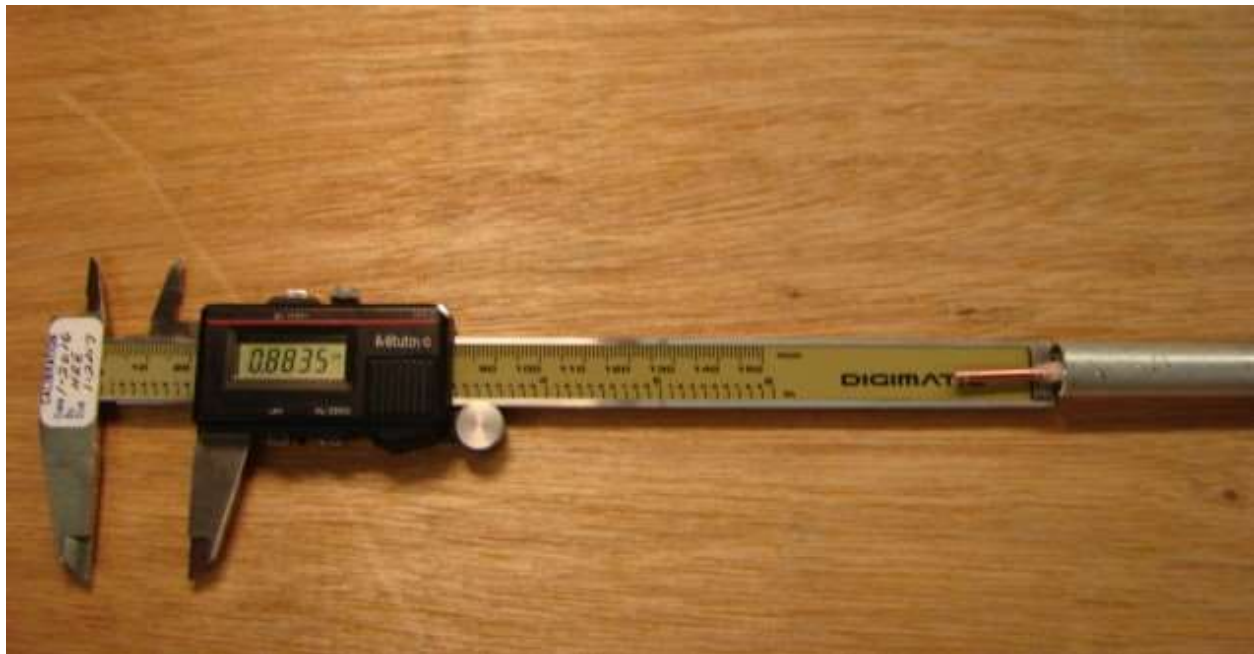


Figure 3 – Example Core Depth

Table 1 – Results table

Results of Core Depth Measurement			
Tester:		Date:	
Cable Manufacturer:			
Cable Type/Size:			
Sample No.:			
Measurement 1:			
Measurement 2:			
Measurement 3:			
Average: (M1+M2+M3)/3			
Comments:			